

# HOLDING FRAMES

Applications
Reconstruction and change of aerial engineering plants of arbitrary dimensions
<input type="checkbox"/> pocket filters
<input type="checkbox"/> compact filters
<input type="checkbox"/> frame filters

Material characteristics
<input type="checkbox"/> leakage-free sealing of the filter units
<input type="checkbox"/> stable, self-rigid construction

Versions
<input type="checkbox"/> galv. steel or high graded steel 1.4301
<input type="checkbox"/> foamed hygiene seal
<input type="checkbox"/> alternatively with or without groove
<input type="checkbox"/> all marketable standard dimensions

## Stability and corrosion protection

High self-stiffness rigidity by metal sheet and optimal construction. Galvanised steel sheet or high-graded steel prevents corrosion.

## Foamed hygiene seal

The foamed seal is resistant to friction, silicone-free, cleans well and seals after several filter changes optimally. It offers water-rejecting characteristics in the standard version and is optionally with antibacterial equipment available, which does not permit bacterial growth.

## Pressure springs

Ensure a constant tightness and a simple filter change. Standard framework heights are adjustable. Special springs are used with the combination of frame filters and pocket filters (see product information "installation accessories").

## Centering of the filter

The specially formed filter frames make the installation of the filter as easy as possible and provides an optimal sealing.

## Modular mounting system

Holding frames and installation accessories are an optimal combination for a simple and economical installation of a filter wall.

---

## Filter combinations

Pocket filters can be fixed with other frame filters, e.g. Z-Line in a framework.

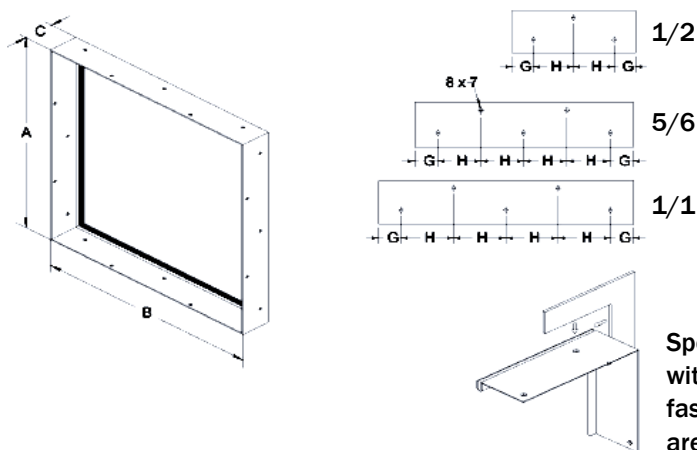
## Compatibility

The outer form and the arrangement of holes in the frame are compatible to all variable systems.

## Self production

VOLZ—holding frames and installation accessories are produced in own plants. The combination of air filters and mounting systems guarantee a high-quality and leaking-free air filtration.

## HOLDING FRAMES

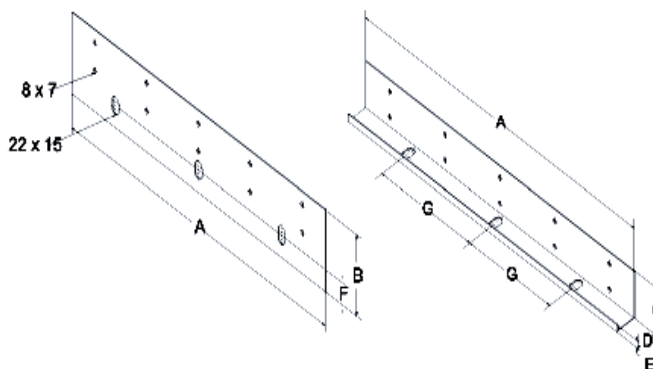


Special holding frames with groove for easy and fast changing the frames are fitted into tracks.

## Technical Data

length B [mm]	305	508	610	915	1118	1220	1525	1830	2135	2440
length A [mm]	610									
filter combinations	1 X 1/2	1 X 5/6	1 X 1/1	1 X 1/1	1 X 1/1	2 X 1/1	2 X 1/1	3 X 1/1	3 X 1/1	4 X 1/1
	-	-	-	1 X 1/2	1 X 5/6	-	1 X 1/2	-	1 X 1/2	-

## FITTINGS AND STABILISATION SHEETS



Indications:

The dimension of fittings are: C=77, D=40, E=17mm.

The dimension of the stabilisation sheets are: B=126, F=29, G=200mm.

The outer form and the arrangement of holes in the frame are compatible to all variable systems.

## Technical Data

size	dimensions in mm						
	A	B	C	F	G		H
1/1	610	610	72	17	55		125
5/6	508	610	72	17	55		100
1/2	305	610	72	17	55		100
1/4	305	305	72	17	55		100